

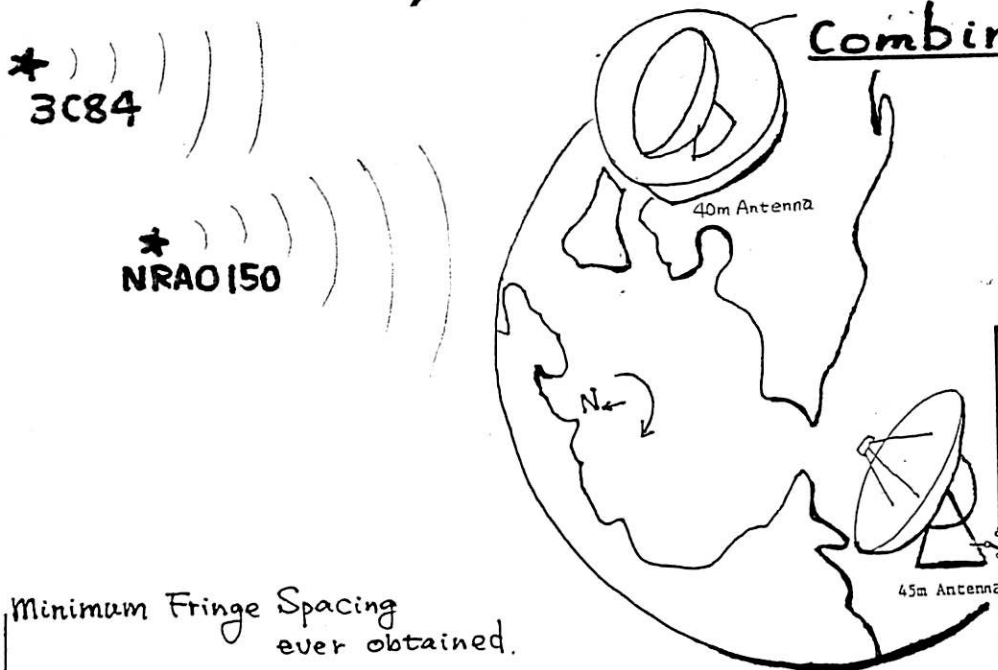
- A Step for millimeter VLBI -

10 GHz band was observed for 4 minutes before 9 minutes' 43 GHz Observing
It is for clock, coherence and coordinate checks.

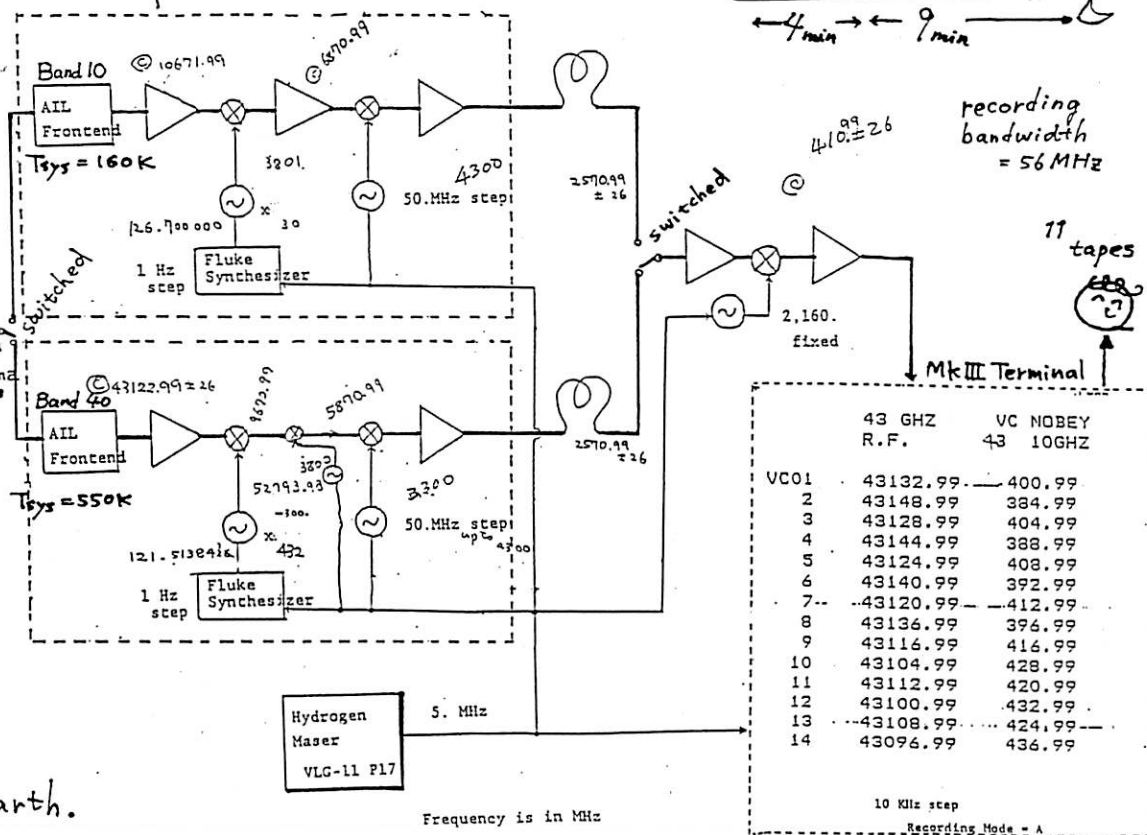
Nobeyama - Haystack 43 GHz VLBI Tried

Combined with 10 GHz band

on Feb. 17, 1986.



45m Radiotelescope Frequency Diagram for 43 GHz MkIII VLBI Experiment (10)



Minimum Fringe Spacing ever obtained.

→ US EAST-WEST 89 GHz $1.1 \times 10^9 \lambda$ 0.18 milli arc sec

→ US - Europe 43 GHz $1.1 \times 10^9 \lambda$ 0.18 :

→ Nobeyama-Haystack 43 GHz $1.4 \times 10^9 \lambda$ (0.15) :

Present experiment: If successful, will be minimum fringe spacing on the earth.